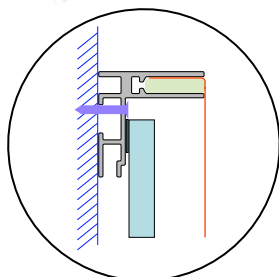
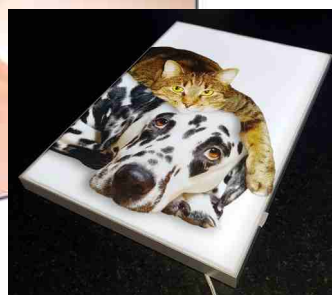
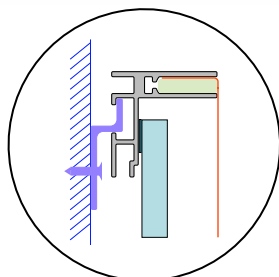


'Simplicity25' Fabric LED Light Boxes

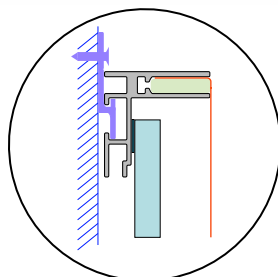
Perfect illumination for printed fabrics with silicone sewn edges



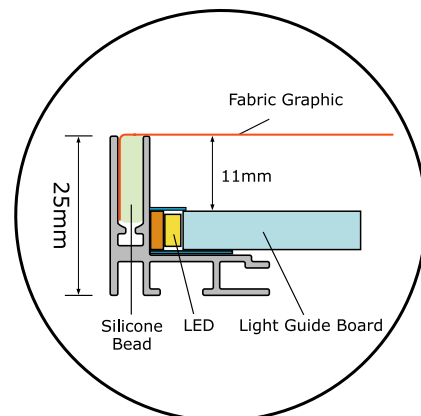
Mounting with screws



Mounting with Z-clips



Mounting with clips



The 'Simplicity25' LED box is a 25mm deep front loading frame, perfect for quick and simple fabric changes. Brilliant illumination is generated by the LED light board in 12V or 24V DC, the high brightness LED's edge light the optically clear, CNC engraved Acrylic with an individually graduated grid. This produces corner to corner shadow free illumination across the face, whatever the size.

The 'Simplicity25' is available in A4, A3, A2, A1 and A0 sizes in Silver anodised finish as standard, with White or Black to order, and can be manufactured in any size up to 3000 x 1500mm. Fabrics can be changed without any tools or special skill.

	OVERALL	GRAPHIC	VISIBLE
A4	210 x 297	210 x 297	208 x 296
A3	297 x 420	297 x 420	296 x 418
A2	420 x 594	420 x 594	418 x 592
A1	594 x 841	594 x 841	592 x 839
A0	841 x 1189	841 x 1189	839 x 1187

- 25mm deep front loading
- For fabrics with a silicone sewn edge
- Single sided
- Bespoke sizes up to 3000 x 1500mm
- Silver/Black Anodised/Black Gloss/White
- CNC Grid cut edge lighting technology
- 12V or 24V High Bright LED illumination
- Various LED colour temperatures
- Long life and maintenance free
- Easy change fabrics without any tools
- Pre-drilled for concealed wall fixing
- External driver/Plug 'n' play connections
- Delivery 2-3 weeks for custom made.



Artillus Ltd

Britannia House, 29 Station Road, Kettering, Northants, NN15 7HJ England

Telephone: 0333 123 0345

email: sales@artillus.com or artillusltd@gmail.com

web: www.artillus.com

